



116 Class Genesis Mass Notification Strobe Explosionproof

Edwards 116 Class Genesis mass notification strobes are designed for use in Class 1, Division 1 and 2 explosionproof and hazardous location (non fire alarm) applications where electrical supervision is required. The units feature two lenses, an outer clear globe, and an inner colored lens available in amber, red, green, blue or magenta.

This diode-polarized unit is UL 1638 and cUL listed for outdoor use as a NEMA Type 3R and 4X enclosure. The strobe has been evaluated to UL 1971 polar plot requirements with on axis light output values.

The 116 Class features an enhanced synchronization circuit to comply with the latest requirements of UL 1971, signaling devices for the hearing impaired, and the Canadian standard CAN/ULC S526. Synchronized operation requires a separately installed synchronization control module, compatible Edwards control panel or booster power supply. See table on page 2 for a list of compatible synchronization modules.

Mounting options are available (ordered separately) for wall, ceiling and pendant mounts. The unit is supplied with a guard installed over the clear outer globe for additional protection against impact.

116 Class Genesis Features

- Clear globe with dome guard
- Five inner lens colors available: Amber, Red, Green, Blue, or Magenta
- Three mounting options: wall, ceiling, or pendant
- Negligible in-rush current
- Can be synchronized when connected to a compatible Edwards control panel, booster power supply or synchronization module
- Available in 16-33V DC/FWR
- UL 1638 and cUL Listed
- NEMA Type 3R and 4X enclosures



116 Class Genesis

Description	Cat. No.	Operating Voltage	Current	Lens Colors	Flash Rate	Light Output UL 1971	Replacement	
							Dome	Guard
Explosionproof Mass Notification Strobe	116DEGEXA-FJ	16-33V DC/FWR	0.505A, DC, RMS 0.683A, FWR, RMS	Amber	65 fpm	36 cd	116-Globe	116-GRD
	116DEGEXB-FJ	16-33V DC/FWR	0.505A, DC, RMS 0.683A, FWR, RMS	Blue	65 fpm	14 cd	116-Globe	116-GRD
	116DEGEXG-FJ	16-33V DC/FWR	0.505A, DC, RMS 0.683A, FWR, RMS	Green	65 fpm	19 cd	116-Globe	116-GRD
	116DEGEXM-FJ	16-33V DC/FWR	0.505A, DC, RMS 0.683A, FWR, RMS	Magenta	65 fpm	9 cd	116-Globe	116-GRD
	116DEGEXR-FJ	16-33V DC/FWR	0.505A, DC, RMS 0.683A, FWR, RMS	Red	65 fpm	6 cd	116-Globe	116-GRD

Accessories

Description	Cat. No.	Conduit Size
Wall Bracket Mounting Elbow	116EX-B*	N/A
Ceiling/Wall Mounting Module	116EX-C	3/4" NPT
Pendant Mounting Module	116EX-P	3/4" NPT

*Note: Wall mount requires both 116EX-B and 116EX-C.

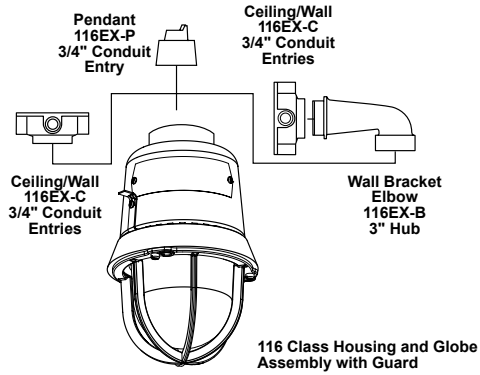
Compatible Synchronization Modules

Description	Cat. No.
Auto-sync Output Module	SIGA-CC1S
	SIGA-CC1S-LG
	SIGA-MCC1S
	SIGA-MCC1S-LG
Genesis Signal Master - Remote Mount	ADTG1M-RM
	EG1M-RM
	G1M-RM
	G1M-RM-LG
	MG1M-RM
	XLSG1M-RM
	ZG1M-RM

Hazardous Location Ratings

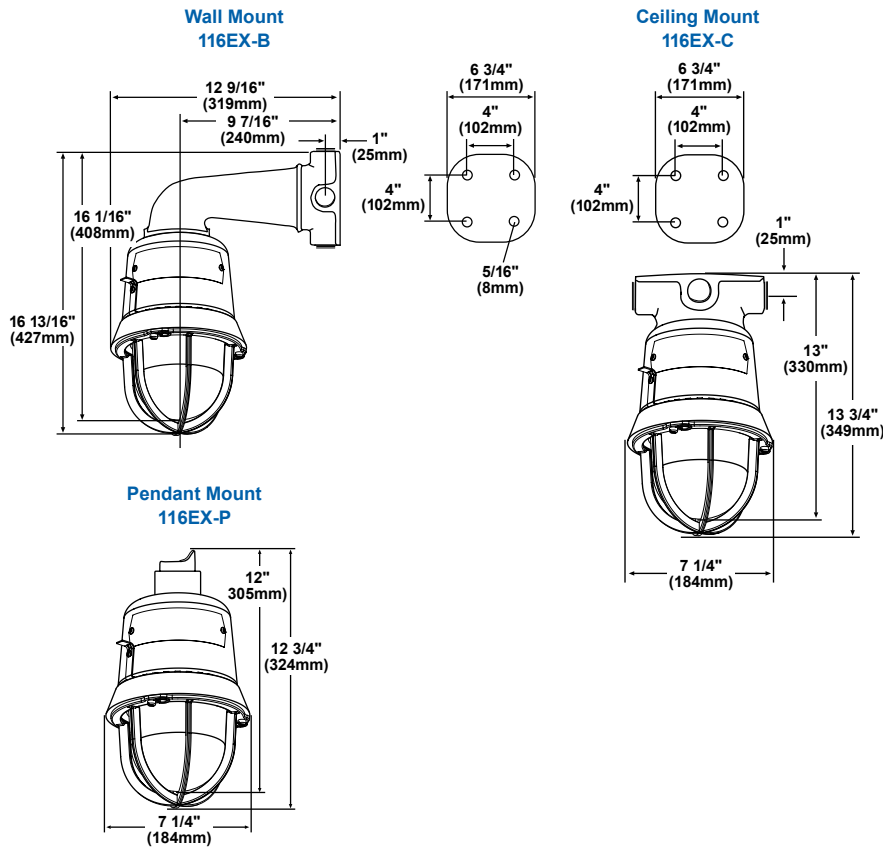
116 Class Genesis	Operating Temperature					
	Ambient Temp.	Supply Wire Temp. Marking	Class I, Div. 2 Groups A, B	Class I, Div. 1 & 2 Groups C, D	Class II & III, Div. 1 Groups E, F, G	Class II & III, Div. 2 Groups F, G
	40°C	75°C	T2B (260°C)	T6 (85°C)	T4A (120°C)	T4A (120°C)
	55°C	90°C	T2B (260°C)	T6 (85°C)	T4 (135°C)	T4 (135°C)
	65°C	105°C	T2B (260°C)	T6 (85°C)	T3C (160°C)	T3C (160°C)

Family Tree



NOTE: 116EX-C must be used when application requires 116EX-B

Dimensional Drawings





9 Farm Springs Road
Farmington, CT 06032
1.800.336.4206
www.edwardssignaling.com

© Copyright 2012 Edwards Signaling

Data Sheet ES001-2004 Issue 1
Not to be used for installation purposes.
Page 4 of 4