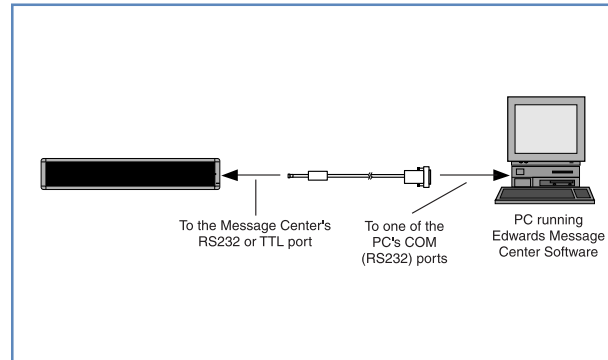
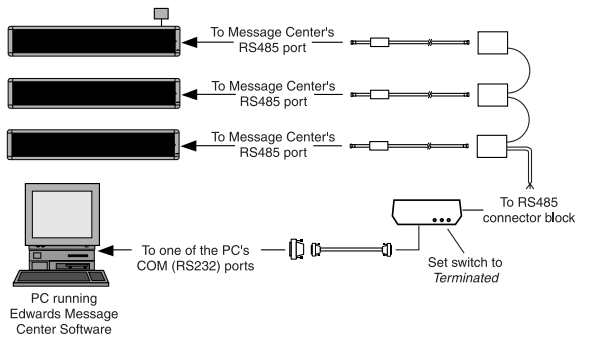


# Message Center Hardware & Networking Accessories

## MULTIPLE MESSAGE CENTERS



## RS485 ACCESSORIES

**MCNMNARJ11485** - Modular Network Adapter. Used in an RS485 Network. Allows a network drop (MCN485-RJ11-8 or MCN485-RJ11-1) to be connected to an Edwards Message Center.

**MCN485CB2EOLT** - RS232 to RS485 Converter Box. Unit is supplied with 2 end-of-line terminators and power supply. Used when more than one message center is needed on the same network.

**MCN485EOLTCB** - End-of-line terminator. In an RS485 network, an EOL terminator must be used at each end to ensure proper operation.

**MCN485CBAC** - Converter Box power supply adapter. 120VAC input, 9 volt output. Used to power MCN485CB2EOLT Converter Box.

**MCN485NRB** - RS485 Network repeater box. Supports an additional 32 drops on an RS485 network.

**MCN485-RJ11-8** - 8 ft, 4 conductor RS485 network drop. Used in conjunction with a MCNMNARJ11485. One required for each message center in an RS485 network to ensure proper operation.

**MCN485-RJ11-1** - 1 ft, 4 conductor RS485 network drop. Used in conjunction with a MCNMNARJ11485. One required for each message center in an RS485 network to ensure proper operation.

**MCN485-1000** - 1000 ft spool of RS485 cable.

**MCN485-100** - 100 ft length of RS485 cable.

**MCN485BB-8** - 8 ft RS485 cable. Used to interconnect 2 Edwards Messages Centers when connected back-to-back.

## RS232 ACCESSORIES

**MCN23225FRJ11** - 25 pin sub-D/6 position RJ11 Adapter. This is used to convert 25 pin Serial output on a PC to an RJ11 connection.

**MCN2329FRJ11** - 9 pin sub-D/6 position RJ11 Adapter. This is used to convert a 9 pin Serial output on a PC to an RJ11 connection.

**MCN2329F-25M** - 9 pin female/25 pin male RS232 Adapter. Used to connect 25 pin Serial output on a PC to a 9 pin RS232 cable.

**MCN232-6PRJ11** - 6 position coupler for connecting RS232 cable together.

**MCN232-RJ11-25** - 25 foot, 6 conductor RS232 cable. Used to connect Serial output on PC to a Message Center.

**MCN232-RJ11-50** - 50 foot, 6 conductor RS232 cable. Used to connect Serial output on PC to a Message Center.

**MCN485MODCB** - 10 foot, 25 pin female/9 pin male, type "B9" RS232 cable. Used to connect receiving modem to an RS232 to RS485 Converter Box (MCN485CB2EOLT).

**MCN485CB2323A9** - 10 foot, 9 pin female/9 pin male, type "A9" RS232 cable. Used to connect Serial output of a PC to an RS232 to RS485 Converter Box