



Adaptatone® Millennium Series Connectivity & Activation

MODEL ACTIVATION VOLTAGE

Dry Contact
or 24VDC

120VAC

5530M-24xx	5530M-120xx
5530MHV-24xx	5530MHV-120xx
5531M-24xx	5531M-120xx
5531MHV-24xx	5531MHV-120xx
5536M-24xx	5540M-120xx
5540M-24xx	5531MV-120xx
5540MV-24xx	
5531MV-24xx	

xx denotes the supply voltage code

RS485 ACTIVATION

Models

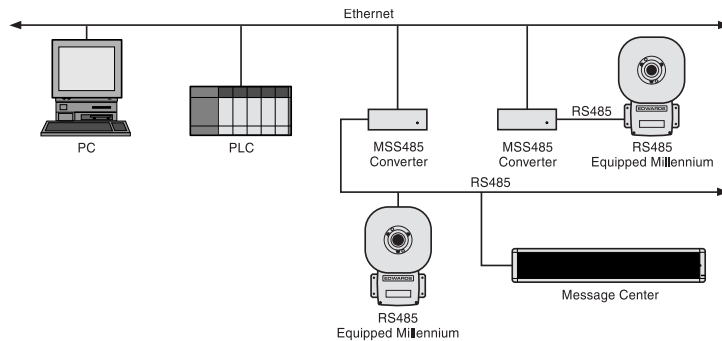
- 5530M-485Y6
- 5530MHV-485Y6
- 5530MV-485Y6
- 5532M-485Y6
- 5532MHV-485Y6
- 5540M-485Y6
- 5540MV-485Y6
- 5560M with 556T-M485

PLC Connectivity

The Adaptatone Millennium products are designed to be directly connected to a PLC (Programmable Logic Controller) that utilize the most common control voltages—24V DC and 120V AC 60 Hz. Each of the PLC compatible Millennium products list the specific signal load characteristics such as the Operating Voltage, Continuous On Input Current, Off State Leakage Current Maximum and Surge current (inrush/duration).

RS485 Activation

Select Adaptatone Millennium Units have been designed for serial communication and activation in RS485 networks. Refer to the list at the left for model numbers.



MEDI™ Millennium Event Driver Software

Windows based software package that provides PC control of Adaptatone Millennium System Components. User Programmable. Features ability to visually and audibly announce timed factory events from your PC.

Activation Voltages

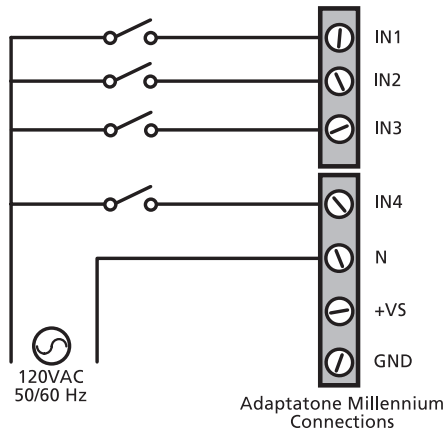
The inputs to the Adaptatone Millennium series products can be activated by closing a dry contact, such as a relay or switch or by applying an externally generated voltage to the input terminals. In addition, the units may accept either 24VDC or 120VAC inputs.

The 120VAC input configuration is used on all models with "-120xx" in the suffix (where xx = the operating voltage code) and the 24VDC input configurations on models with "-24xx" in the suffix of the catalog number (where xx = the operating voltage code). When using dry contact inputs the models configured for 24VDC ("-24xx" suffix) inputs should be used. Reference "Model Activation Voltage" table to the left for the activation voltage for each model.

D-04

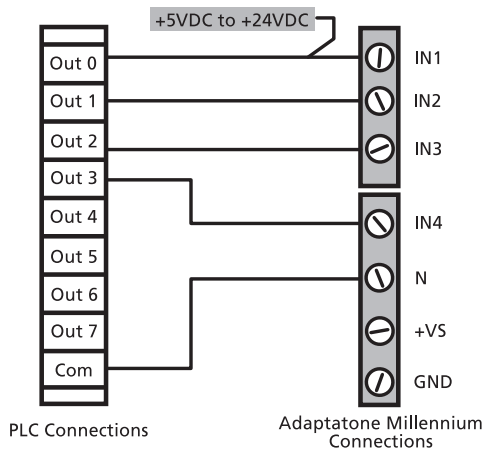


TECHNICAL INFORMATION

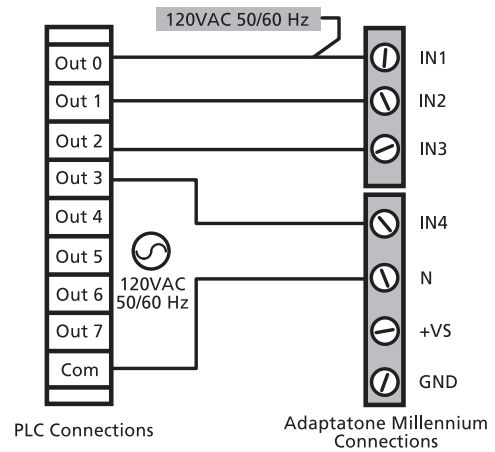


**Dry contact Wiring for
120V Input Units (5531M-120xx)**

24VDC PLC Connection*



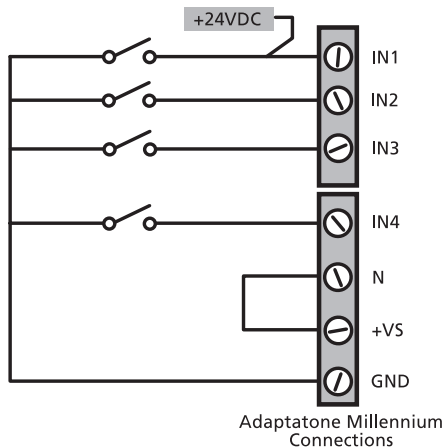
120VAC PLC Connection*



* The installer should consult the PLC manufacturer's output card data sheet and the Adaptatone Millennium PLC compatibility chart when connecting to a PLC. Refer to page 1-3 "Making a Direct Connection to Your PLC" for additional information about PLC compatibility.

Dry Contact Wiring for 24V Input Units (5531M-24xx)

Method A - Pull Down (Recommended)



Method B - Pull Up

