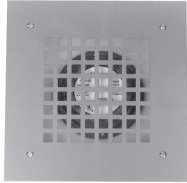




Cat. No. 348/349



Cat. No. 340-()-GRID



Cat. No. 511-A

Edwards® Adaptabel® Accessories

348, 349, 449, 340-GRID, 511-A, 512-A & 513-A

FEATURES

348, 349 & 449

- > Rugged Die-cast aluminum
- > Tapped for 3/4" (19 mm) conduit
- > Molded neoprene gasket
- > Corrosion resistant finish
- > Weatherproof boxes UL Listed for outdoor use

340-()-GRID

- > Corrosion resistant gray finish
- > Use with any 4", 6" or 10" 332, 333, 340 & 435 bells

511-A, 512-A & 513-A

- > Use with 4", 6" & 10" Adaptabels
- > Grille comes in flat white finish
- > Wall box finished in gray enamel

Edwards Adaptabel accessories are for use with 332, 333, 340, 435 and 439D bells. These bell accessories are used to add to the functionality or look of the bell.

Weatherproof Back Boxes

Edwards 348, 349 and 449 back boxes are constructed of rugged die-cast aluminum and when used with any 340, 435 or 439D bell they are UL Listed for outdoor use.

Full Cast Grid Kits

Edwards 340-GRID Series are for use with any size 332, 333, 340 or 435 bell. The rugged grid is mounted to the outside of the bell gong and provides protection and prevention of any undesired ringing resulting from contact. For use in any area where a bell is accessible or where there is a potential for the bell to be contacted or struck such as gymnasiums or busy industrial areas.

Flush Mount Grille and Wall Box

Edwards Flush Mount Grilles and Wall Boxes provide flush mounting for any 4", 6" or 10" Adaptabel. The grilles have a flat gray finish and are ideal for use in offices where a more subtle look is desired. The grilles also provide protection against tampering and vandalism, as the bell is completely covered.

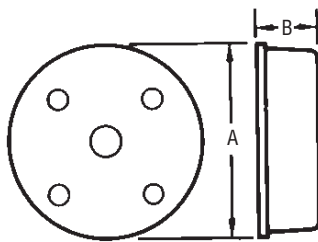
The wall box has a gray enamel finish and must be ordered separately. 512-A may also be used with 338 & 339 Series chimes.

D-04

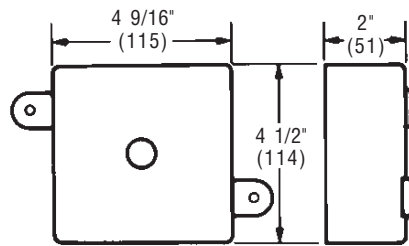


TECHNICAL INFORMATION

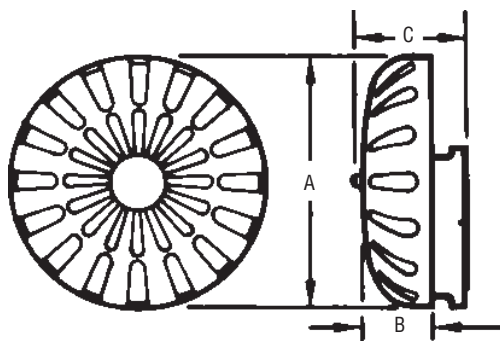
Cat. No.	A	B
348	5 1/8" (130mm)	1 5/8" (41mm)
349	6 1/2" (165mm)	1 5/8" (41mm)
449	See Drawing	



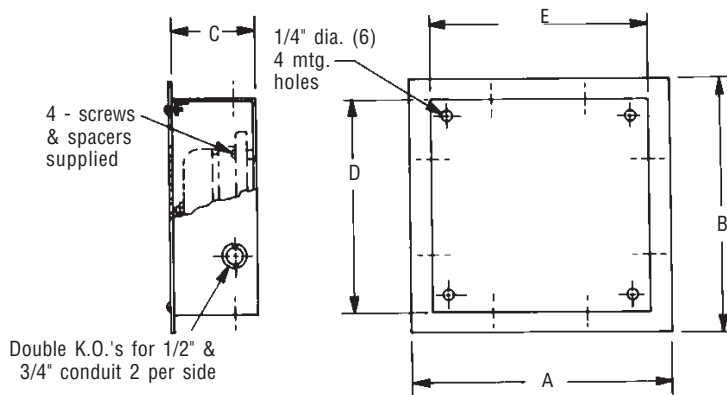
348/349



449



Cat. No.	A	B	C
340-4-GRID	5 5/8" (143mm)	1 1/2" (38mm)	3 1/2" (89mm)
340-6-GRID	7" (178mm)	2 5/8" (67mm)	4 1/16" (103mm)
340-10-GRID	10 13/16" (275mm)	3 3/8" (86mm)	4 11/16" (119mm)



Cat. No.	Usage	Wall Box Part No.	A	B	C	D	E
511-A	4" Bells	511-1	10" (254mm)	10" (254mm)	3 7/8" (98mm)	8" (203mm)	8" (203mm)
512-A	6" Bells	512-1	12" (305mm)	12" (305mm)	4 1/4" (108mm)	10" (254mm)	10" (254mm)
513-A	10" Bells	513-1	16" (406mm)	16" (406mm)	5" (127mm)	14" (356mm)	14" (356mm)