



AdaptaBeacon® Electronic Horn/Strobe

Indoor, Flush Mount

869STR & 869DSTR

FEATURES

- > Low current draw
- > High dB output
- > Terminals for easy wiring
- > Gray flame resistant housing
- > Five lens colors
- > 150 candela strobe (clear lens)
- > Diode polarized units available
- > Engineered thermoplastic housing
- > 1,000 hour strobe tube

The Edwards 869STR and 869DSTR AdaptaBeacon series are bright, low current, high decibel, surface mount, combination electronic horn/strobes for indoor, flush mount use. They have been designed for mounting in a standard 4" (102mm) square backbox with extension ring (total minimum depth of 3" (76mm)) (not supplied). Strobe and horn may be operated independently.

The 869DSTR-G1 is a diode supervised 24V DC unit.

The 869STR AdaptaBeacon is for indoor flush mounting in manufacturing sites. Used where a distinctive visual or audible signal is required for timing, scheduling, paging, process control, and general alarm applications.

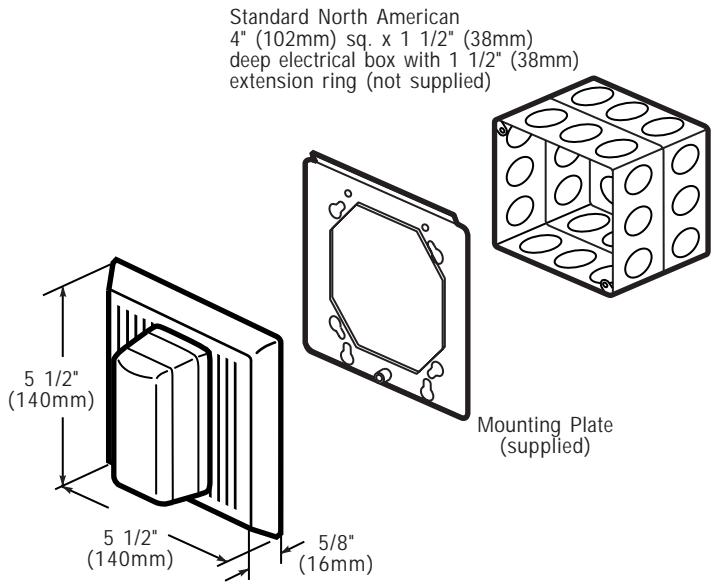
AGENCY APPROVALS

- > Strobe - UL 1638 Listed
- Horn - UL 464 Listed

D-002



TECHNICAL INFORMATION



Catalog Number	869STR(*)-N5†	869STR(*)-AQ†	
Operating Voltage**	120V AC	24V AC	24V DC
Operating Current - Horn***	21 mA	60 mA	20 mA
Operating Current - Strobe***	90 mA	158 mA	219 mA
Operating Environment	Indoor: 85% relative humidity at 86F (30C); 32F to 120F (0 to 49C) variable ambient		
Strobe Flash Rate	1 flash per second		
Sound Level Output	90 dBA at 10 ft. (3.05 m) in an Anechoic Chamber		
Mounting	Indoor Surface Mount		
Light Output UL 1638	Clear Lens - 150 cd Amber Lens - 90 cd Green Lens - 70 cd Red Lens - 21 cd Blue Lens - 20 cd		

*Insert lens color: C - clear, R - red, G - green, B - blue or A - amber
 **Operating voltage: -20% to +10% of nominal voltage
 ***Horn and strobe currents are additive when connected in parallel.
 †Diode Supervised units available in 24V DC. Order 869DSTR(*)-G1.