

Flush-Call Strap Mounted Signals

Low voltage

660 Series



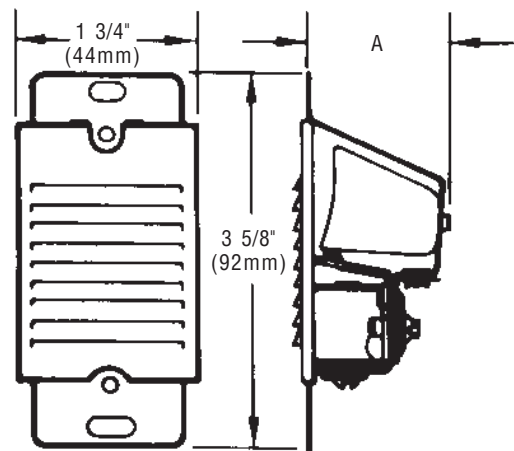
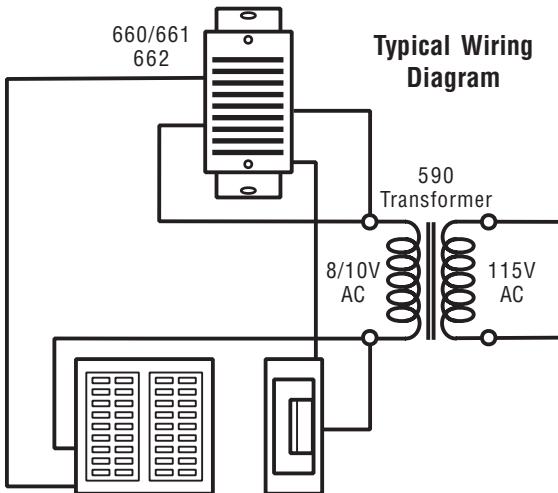
FEATURES

- > Low voltage
- > Easy flush mounting

The Edwards 660 Series are compact, strap-mounted buzzers and bells designed for flush mounting in standard electrical boxes.

Designed for installation in standard outlet boxes. Requires a 590 transformer (page 11-2) and push button. Transformer and pushbutton may be mounted in same 3 gang outlet box with a minimum depth of 1 3/4" (44 mm) using a Cat. No. 593 transformer mounting plate (page 11-4).

Used for residential and commercial door signals and interoffice communications and signaling.



Cat No.	Name	Voltage	Current*	VA	DC Coil Res. (ohms)	dB at 1m / 10 ft.	Depth (A)
660	Ringcall™ Bell	8-10V AC	1.5A	15	4.75	86 / 80	1 3/8" (35 mm)
661	Buzacall™ Buzzer	8-10V AC	1.3A	13	6	86 / 80	7/8" (22 mm)
662	Tucall™ Bell/Buzzer	8-10V AC	1.5A	15	4.75	86 / 80	1 3/8" (35 mm)

*Current ratings at 10V AC.