



Millennium Mini-Mi™ Voice & Tone Generator

*Weatherproof, durable,
Multi-purpose*

5560M Series

Compact, modular design allows unit to be configured with tone, voice, audio coupling or RS485
10, 25 or 70.7VRMS audio input boards available

Internal volume control

Strobe and diode polarized fire alarm models

Weatherproof

The Edwards 5560M Millennium Mini-Mi is a compact tone and voice generator which is completely modular in construction. The 5560M base unit is supplied with or without a 110 candela strobe. One of five optional modules may be installed in the base unit.

The 5560M is configured for stand-alone operation when installed with the 556T-M Tone Module Board. One tone may be dipswitch selected from a field of 55 tones and will be played whenever power is applied to the unit. When installed with the 556T-M485 Tone Module Board, any of the available 55 tones can be activated over a RS485 Network. For a complete listing of all 55 tones, see page 4-55.

UL 464

UL 1971 (AW model only)

UL 464 and 1604 Listed

NEMA Type 3R

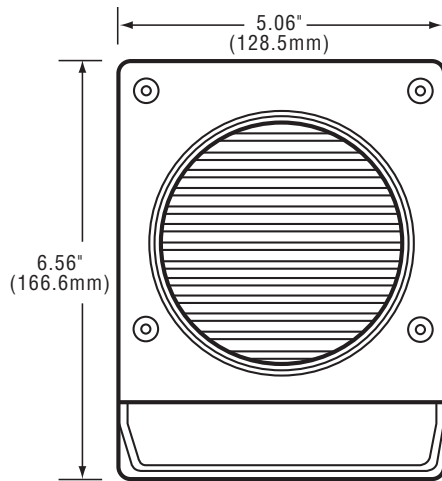
When configured with the 556V-M Voice Module Board, the unit is capable of stand-alone voice operation. When power is applied to the unit it will play up to 20 seconds of one pre-recorded, field programmed voice message.

24V AC/24V DC, 120V AC, 16-33V DC

Rugged Lexan construction

The 5560M is capable of system operation when fitted with an audio coupler board. The 556A-M Audio Coupler Board allows the Mini-Mi to be operated as a system speaker amplifier over any system that outputs 10, 25, or 70.7 VRMS. Audio input voltage is selected on the audio coupler through an onboard jumper. The 5560M Mini-Mi may also be used as a system signal on an RS485 network using the 556A-M485 Audio Coupler Module Board.

Diode polarized fire alarm models are available with and without the 110 candela strobe. The fire alarm models operate from 16 to 33 VDC and are available in standard white or red Lexan housings.



| Cat. No. | Color | Description | Voltage |
|--------------------|-------|--|-------------------------|
| 5560M-AQ | White | Mini-Mi Base Model | 24VDC or 24VAC 50/60 Hz |
| 5560M-N5 | White | Mini-Mi Base Model | 120VAC 50/60 Hz |
| 5560MD-AW | White | Mini-Mi Base Model - Diode Polarized | 16-33VDC |
| 5560MDR-AW | Red | Mini-Mi Base Model - Diode Polarized | 16-33VDC |
| 5560MS-AQ | White | Mini-Mi Base Model with Strobe | 24VDC or 24VAC 50/60 Hz |
| 5560MS-N5 | White | Mini-Mi Base Model with Strobe | 120VAC 50/60 Hz |
| 5560MDS-AW | White | Mini-Mi Base Model with Strobe - Diode Polarized | 16-33VDC |
| 5560MDSR-AW | Red | Mini-Mi Base Model with Strobe - Diode Polarized | 16-33VDC |
| 556A-M | N/A | Audio Coupler Module Board | N/A |
| 556A-M485 | N/A | Audio Coupler Module Board with RS485 Connectivity | N/A |
| 556T-M | N/A | Tone Module Board | N/A |
| 556T-M485 | N/A | Tone Module Board with RS485 Connectivity | N/A |
| 556V-M | N/A | Voice Module Board | N/A |

MOUNTING

The Mini-Mi mounts to any standard 4" (102mm) backbox and is suitable for outdoor mounting when mounted to the 449 backbox or any weatherproof 4" (102mm) box.

APPLICATIONS

The 5560M Mini-Mi is ideal for sounding stand-alone or system tones and voice in factory hallway, office and personnel areas where the use of large, horn type devices is not desirable because of sound output and appearance issues. The Mini-Mi may also be used for fire/emergency signaling applications, where operation and control of high decibel audio and voice is required for plant or area-wide tone and voice notification.