



AdaptaBuzzer™

AC and DC Models

340A & 343A Series

FEATURES

- > Vibrating Armature
- > Universal Adaptable® mounts directly on surface or electrical box
- > Plug-in convenience
- > Corrosion resistant heat flowed epoxy finish

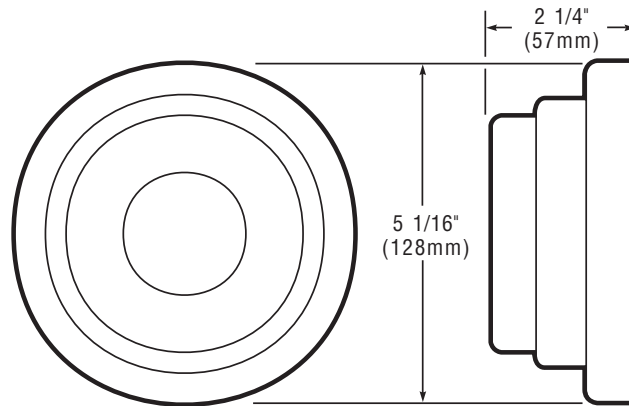
Edwards vibrating AdaptaBuzzers are the finest, heavy duty buzzers available. The AC models are volume adjustable.

Universal Adaptable® mounts directly on any single-gang box, 3 1/4" (83 mm), 3 1/2" (89 mm), or 4" (102 mm) octagon box. Buzzer plugs into receptacle on mounting plate. For flush mounting accessories see page 5-10.

Used for timing, scheduling, and paging applications. Use wherever a relatively low decibel signal of a different tone is required.

AGENCY APPROVALS

- > 340A Series UL 464 Listed
- > 340A Series FM Approved



Cat No.	Volts	Amps	VA	DC Coil Res (ohms)	dB at 1m / 10 ft.
340A-G5	24V 50/60 Hz	0.250A	6.0	28	76 / 70
340A-N5	120V 50/60 Hz	0.050A	6.0	725	
340A-R5	240V 50/60 Hz	0.025A	6.0	2900	
343A-E1	12V DC	0.330	4.0	9.4	68 / 62
343A-G1	24V DC	0.150	3.6	28	
343A-M1	75V DC	0.065	4.9	360	
343A-P1	125V DC	0.070	8.8	1000	

D-04