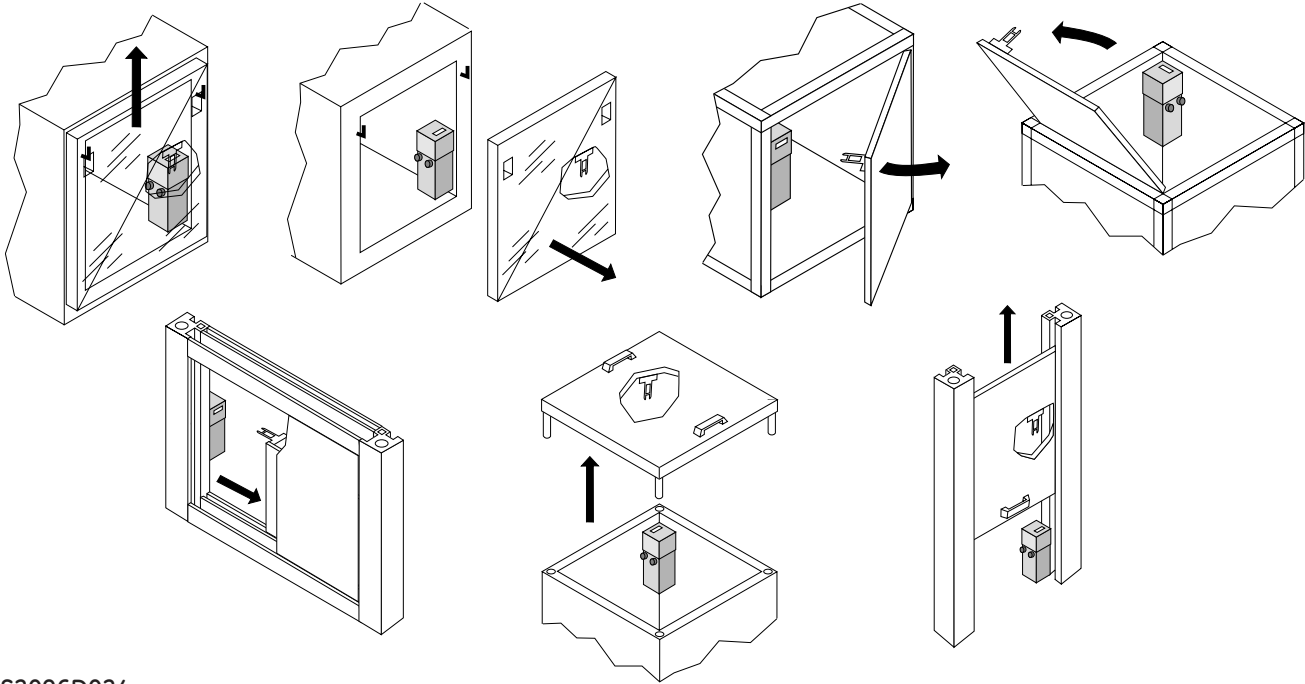


Mechanical Safety Switches Installation Examples

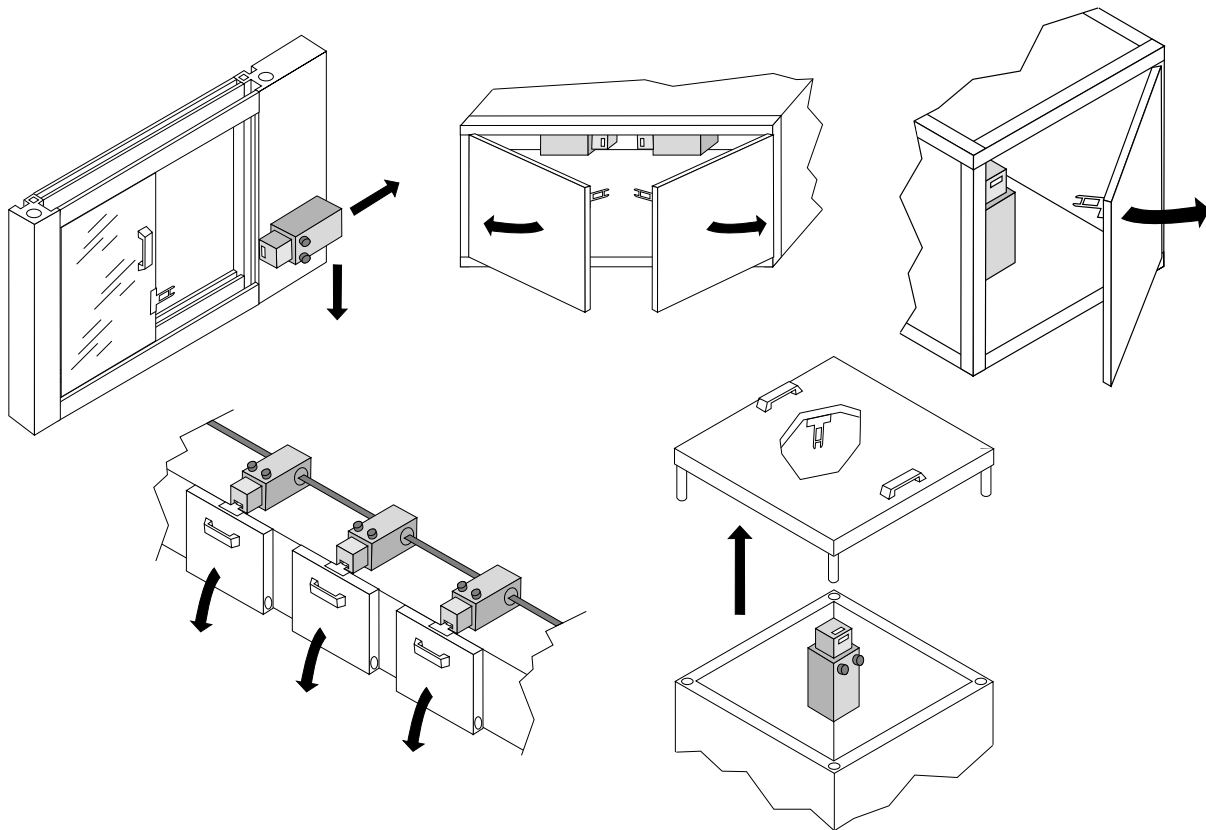
FR 693 / FX 693 / FX992-D1

**SAFETY
MECHANICAL SWITCHES**



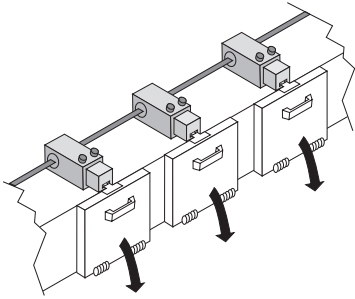
FS2096D024

FS1896E024

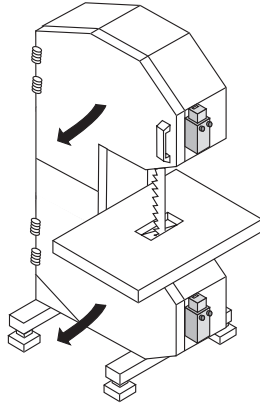


FD 6R2

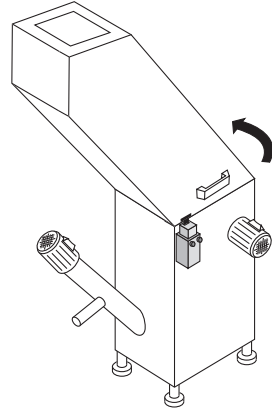
tile machine



wood-working machine



granulator, biotriturator



SAFETY
MECHANICAL SWITCHES

FR 996

FR 18C1 / FR 18C2 / FR 18C3

