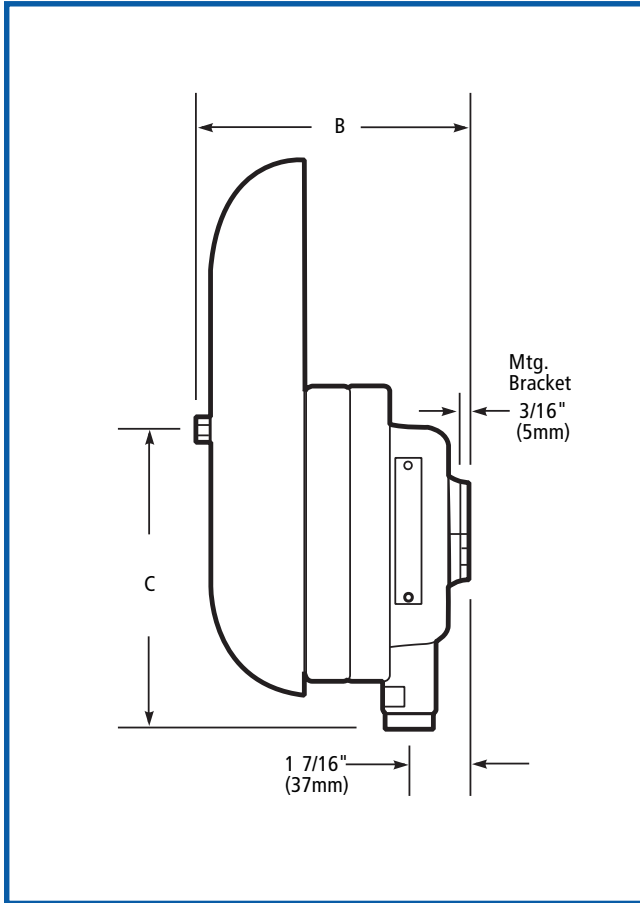


Edwards® Hazardous Location Adaptabel® Installation

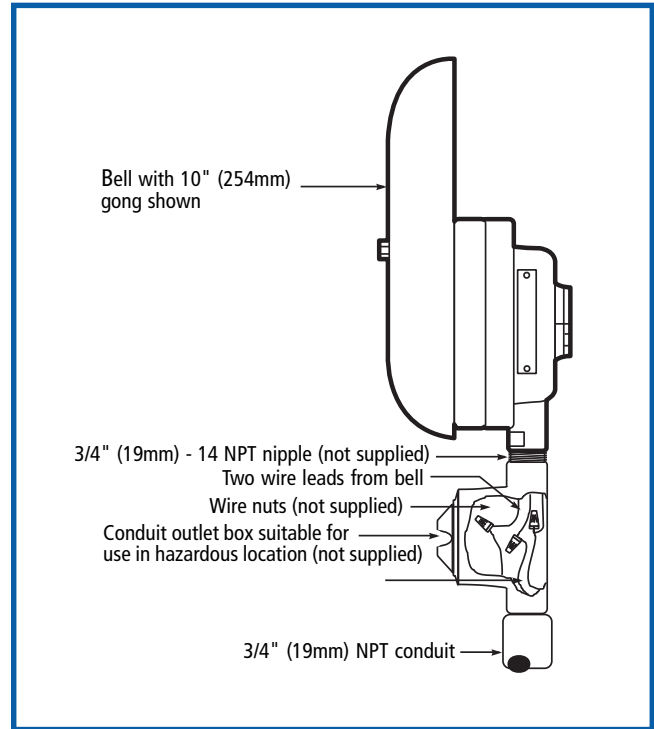
Catalog 332EX, 333EX, 340EX, 340DEX, 435EX, 435DEX and 439DEX Adaptabel Installation

Bells mounts to any solid surface using two 3/8" bolts and washers.

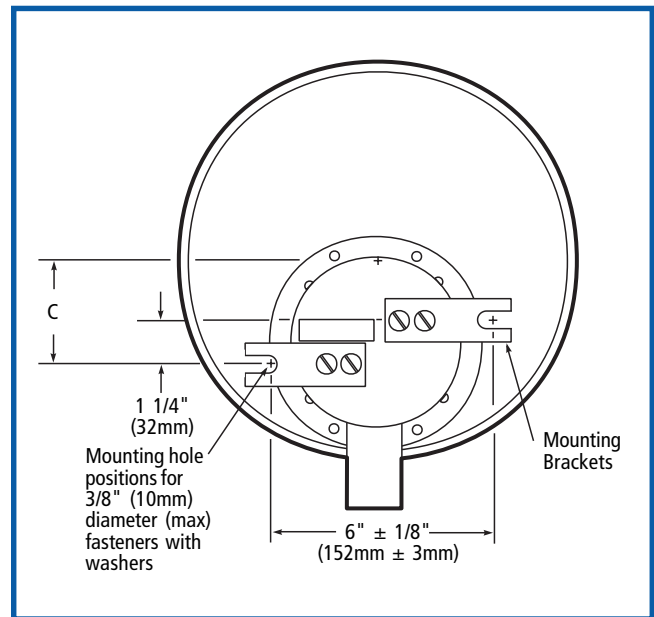


Dimensions (Side View with 10" gong)

Gong Size	Dimensions		
	A	B	C
6" (152mm)	4 1/16" (103mm)	4 13/16" (122mm)	5/8" (16mm)
8" (203mm)	5 1/16" (129mm)	5 1/4" (133mm)	1 5/8" (41mm)
10" (245mm)	6 1/16" (154mm)	5 3/8" (137mm)	2 5/8" (67mm)



Mounting Configuration



Dimensions (Rear View)