

# 5552 and HPSA15 Series Speakers Installation Sheet

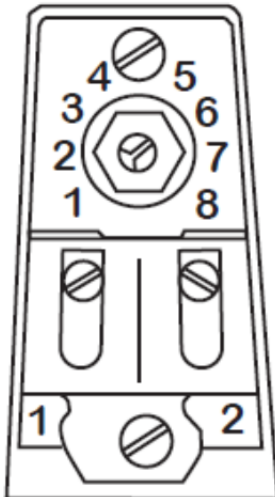
## Description

- 5552 Series and HPSA15 Series are high efficiency, UL Listed double re-entrant type loudspeakers.
- They comply with the requirements of UL Standard 1480, Fire Protective Signaling Speakers.
- They are designed to be used in conjunction with compatible control equipment for high intelligibility reproduction of audible emergency and protective signals as well as voice messages.
- Includes a supervisory capacitor and is suitable for installation in systems employing supervised circuitry (25 V / 70.7 V). Maximum supervised circuit voltage is 24 VDC.
- For use in ambient temperature ranges from -40°C to 66°C.

## Specifications

Power	15 W
RMS frequency response	400 to 4,000 Hz
Sound level	103 dB UL 10 ft. rating
Conduit connection	For 1/2 in. conduit

Figure 1: Power tap selector switch

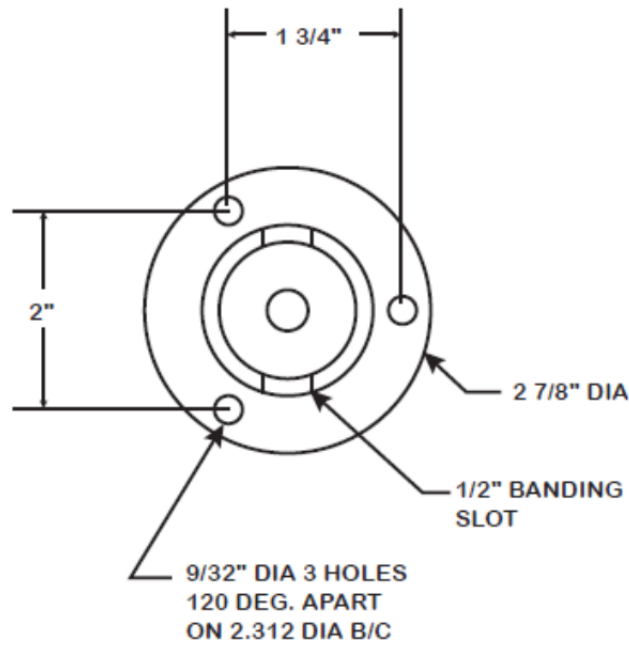


Switch Position	Impedance	25V Line	*dB at 10 Ft.	70V Line	*dB at 10 Ft.
1	5.0 K	-		.9 W	93
2	2.5 K	-		1.8 W	96
3	1.3 K	.48 W	90	3.8 W	98
4	666	.94 W	93	7.5 W	101
5	333	1.8 W	96	15.0 W	103
6	89	7.5 W	101	Do Not Use	
7	45	15.0 W	103	on 70 V	

\* UL 3 dB Increment Rating

**Note:** Terminal #2 is the positive terminal.

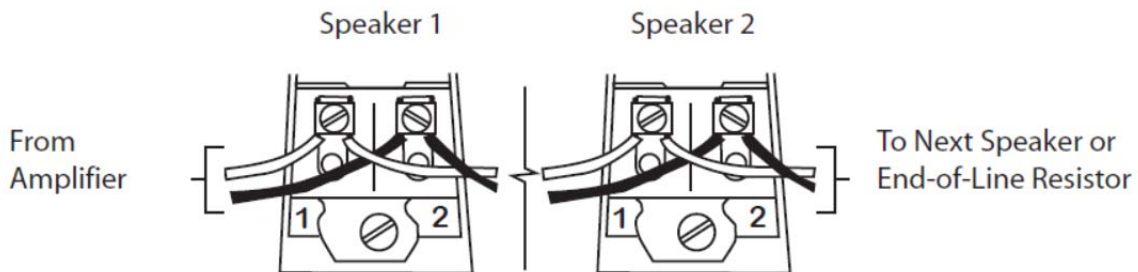
Figure 2: Mounting dimensions



To conform with UL requirements, wires must be connected as shown in wiring diagram (see Figure 3).

**Note:** The maximum wire size that can be connected to this device is 18 Gauge.

Figure 3: Wiring diagram



**Caution:** Do not loop wires under screw terminals. Break wire run to provide supervision of connection. Installation must comply with all Building Codes and NFPA guidelines. Installation must adhere to N.E.C. and NFPA 70/72 wiring directives and comply with all National and Local Building Codes.

## Contact information

For contact information, see [www.edwardssignaling.com](http://www.edwardssignaling.com)